

ROUGH- IN KIT INSTALLATION INSTRUCTIONS

STEP 1: Prepare the pit area to accept the Scale Frame. It is recommended that a properly plumbed drain be installed in the center of the pit to avoid any water buildup that might damage the scale. **Note:** Wood floor installation must be site engineered by qualified personnel.

STEP 2: (Figure 1) Mount the Wall Box Display into the wall and run the conduit, with the connector cable inside, down through the wall and into to the pit as shown (see “Pit Area Installation Notes”).

STEP 3: (Figure 2) Center the Scale Frame in the pit using the supplied installation tabs to suspend the frame in place.

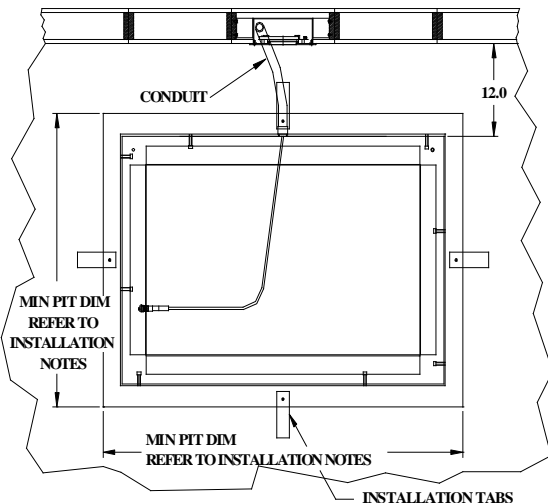


Figure 2: Conduit Placement and Installation Tabs

- **For 32”x 50” Platforms:** If using supplied installation tabs to suspend frame when pouring concrete, perimeter dimension of pit cannot exceed 44”x 62”.
- **For 48” x 72” Platforms:** If using supplied installation tabs to suspend frame while pouring concrete, pit perimeter dimensions cannot exceed 60”x 84”.

STEP 4: (Figure 3) Back fill around the perimeter of the frame with 3000PSI concrete. Trowel the concrete level with the scale frame and existing floor. Trowel the base of the pit level with the base of the frame with a gradient toward the centered drain, if used. Conduit and cable should be left free so cable can be easily connected to the platform base.

STEP 5: When the concrete has set, remove and discard the installation tabs and screws. Install the four ¼” long 10-32 flat head screws into holes left by plate removal.

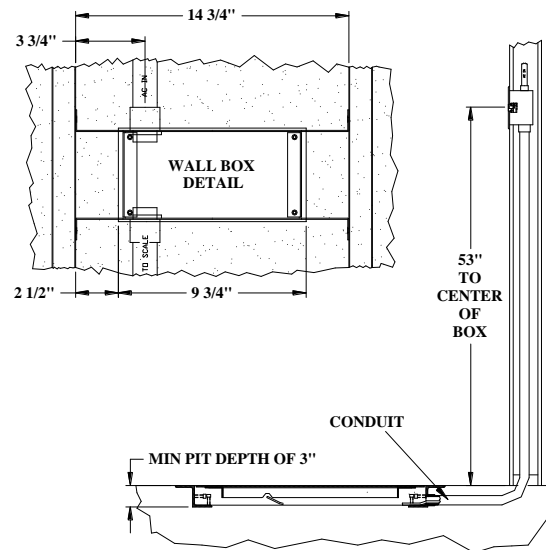


Figure 1: Wall Box/ Conduit Placement

- This is a rectangular frame so it is important to check placement specifications to make sure conduit connection is properly placed facing the wall where conduit/cable connection is located. There are holes cut for conduit entry in the center of two sides of the frame so scale can be placed with either long or short side against wall. Run conduit/cable through hole and into pit area.
- **For 32”x 36” Platforms:** If using supplied installation tabs to suspend frame when pouring concrete, pit perimeter dimension cannot exceed 44”x 48”.

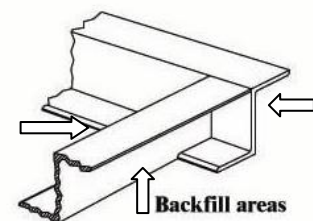


Figure 3: Concrete Fill