

Pediatric Utility Cart

Model SRC-600

The SRC-600 is a great companion cart to the SR635i scale. Additionally it can be used for the SR241 and SR615i pediatric scales or as an all around utility cart.

With composite shelving and aluminum corner tubing the cart offers superior stability. Every surface on the cart is infused with antimicrobial product protection.

3" smooth-gliding casters provide quiet movement between birthing suites and the nursery. A raised protective edge around the shelf perimeter keeps items in place.



Specifications subject to change without notice.

ANTIMICROBIAL

SR Scales contain antimicrobial technology for powerful, continuous product protection against bacteria.

COMPOSITE SHELVES

Durable and easy to clean.

3" QUIET ROLL CASTERS

Provide easy movement throughout a clinic or hospital. Additionally each caster is equipped with a bumper while two casters are brake equipped.

PROTECTIVE RAIL

All three shelves have a full perimeter raised edge to keep things where they belong.



Shown with SR615i Pediatric Scale (not included)



Shown with SR241 Adult pediatric combo scale (not included)



4 YEAR
WARRANTY



MADE IN
THE USA

Pediatric Utility Cart

Model SRC-600

SYSTEM SPECIFICATIONS

DIMENSIONS	18" W x 30" L x 35.1" H 45.7 x 76.2 x 89.2 cm
CAPACITY	300 lb / 136 kg
CASTERS	3" Casters (Two Brake)
WEIGHT	45 lb / 20.5 kg
WARRANTY	4 years



SR635i pediatric scale and SRC600 pediatric cart (Scale not included)

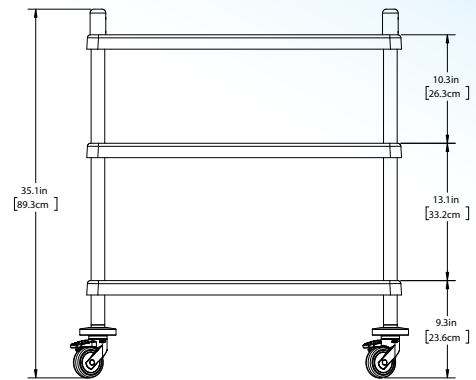
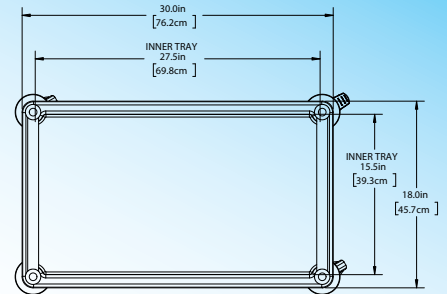


Shown with SR615i Pediatric Scale (not included)

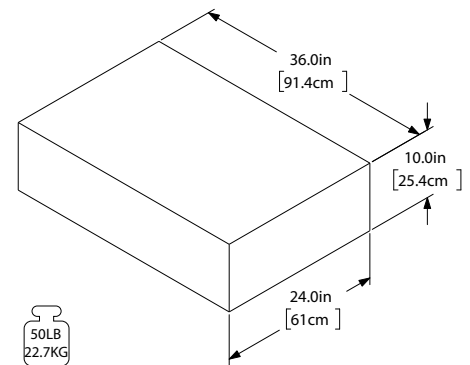


Shown with SR241 Adult pediatric combo scale (not included)

DIMENSIONS in [cm]



PACKAGING



Specifications subject to change without notice.