

# Wall Mount Scale

(Ambulance Gurney)

**Model SR7010i**

The ultimate space saver. Designed for flush wall mount, the SR7010i platform scale tucks away neatly when not in use to maximize your use of floor space.

The extra-large weighing surface with integrated ramps will easily accommodate patients with walkers, canes, wheelchairs, and gurneys.

Constructed of heavy-duty aluminum plate, the SR7010i has a weight capacity of 1000 Lbs. Counter-balancing actuators make light work out of raising and lowering the weighing surface.

It's there when you need it and safely out of the way when you don't.

**SR Scales**<sup>®</sup>

INFUSED WITH

Antimicrobial Protection



Shown with optional printer

Platform size: 38" x 48"

## ANTIMICROBIAL

SR Scales contain antimicrobial technology for powerful, continuous product protection against bacteria.

## AUTO-WEIGH

The scale will automatically turn on, lock in a stable weight, and send a record of the weight, date, and time stamp to the optional printer. (BMI can also be calculated and added to the record.)

## MEMORY

Recalls the last stored weight.

## POWER

Medical grade wall power supply.

## BMI CALCULATION

Enter height information to calculate and display Body Mass Index.

## OPTIONAL EQUIPMENT

Thermal printer



4 YEAR WARRANTY






MADE IN THE USA

# Wall Mount Scale

## Model SR7010i



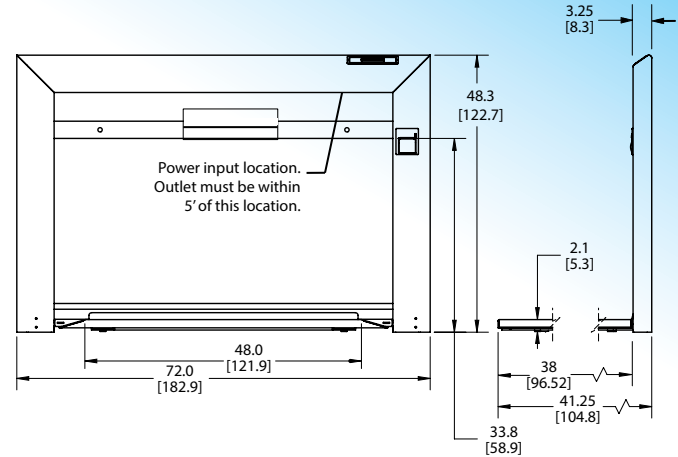
### SYSTEM SPECIFICATIONS

<b>MAX WEIGHT</b>	1000 Lb / 454 Kg
<b>DISPLAY TYPE</b>	16 Character LCD w/ LED Backlight
<b>DISPLAY RESOLUTION</b>	0.1 Lb/Kg
<b>ACCURACY</b>	0.1% +/- 1 digit of displayed resolution
<b>DISPLAY UNITS</b>	Pounds / Kilograms
<b>POWER</b>	Medical Grade AC Wall Power Supply
<b>AUTO POWER DOWN (APD)</b>	Programmable on-time.
<b>AUTO WEIGH/PRINT</b>	The scale will automatically turn on, lock in a stable weight, and print (printer optional).
<b>MEMORY</b> 	Last stable weight is automatically stored in memory. Press RECALL to retrieve.
<b>AUTO ZERO</b>	Scale will automatically zero when the platform is folded down.
<b>BMI CALCULATION</b>  	Press BMI and input height. Press ENTER to view BMI information.
<b>BUILT-IN PRINTER</b> (Optional)	Stored information may be sent to the built-in thermal printer and may include: Weight/Time/Date/BMI.
<b>WARRANTY</b>	4 years

### ACCESSORIES AND OPTIONS

DESCRIPTION	PART NUMBER
<b>WALL MOUNT SCALE WITH PRINTER</b>	SR7010i-P
<b>KILOGRAM ONLY SCALE</b>	SR7010i-KG
<b>REPLACEMENT THERMAL PRINTER</b>	FRNP-P2062
<b>REPLACEMENT PAPER</b> (15 rolls per box)	FRTP211C1
<b>REPLACEMENT POWER ADAPTOR</b>	FRMW173K

### DIMENSIONS in [cm]



### PACKAGING

