

Stand-On Scale

Model SR585i

Now featuring touchless weighing*

The SR585i Stand-On Scale is equipped with a large platform and full wrap-around handrail for patient stability.

Constructed of heavy-duty cast aluminum, the SR585i has a capacity of 1000 Lbs, yet is lightweight and easily transported by caregivers.

Image shown with optional height bar



Platform size: 18" x 20"

*SR555i, SR585i, SR755i scales now feature optional AC power that enables scales to remain plugged in, always on, and ready to weigh a patient with no button activation.

ANTIMICROBIAL

SR Scales contain antimicrobial technology for powerful, continuous product protection against bacteria.

PORTABLE

Just Tip n' Go! Take the scale to the patient for an ideal, point-of-use scale.

MEMORY RECALL

Recalls the last stored weight.

AC OR BATTERY OPERATED

An optional AC power adaptor can be plugged into the scale for touchless scale operation. Additionally 6 "D" cell batteries provide approximately 10,000 weigh cycles with programmable Auto Power Down (APD) to conserve power when not plugged in.

SOLID CAST ALUMINUM CONSTRUCTION

Durable and easy-to-clean powder coated finish.

WIDE GRIP, WRAP-AROUND HANDRAILS

Patient can use the wrap-around handrails and integrated front-hand hold for stability without affecting accuracy.

BMI CALCULATION

Enter height information to calculate and display Body Mass Index.

EHR/EMR READY

Serial data output can be used to communicate with electronic health records through send or get commands.

OPTIONAL EQUIPMENT

- AC power adaptor
- Thermal printer
- Height Rod - Easily measure in both inches and centimeters.



EASY TRANSPORT
& STORAGE



4 YEAR
WARRANTY



MADE IN
THE USA

Stand-On Scale

Model SR585i



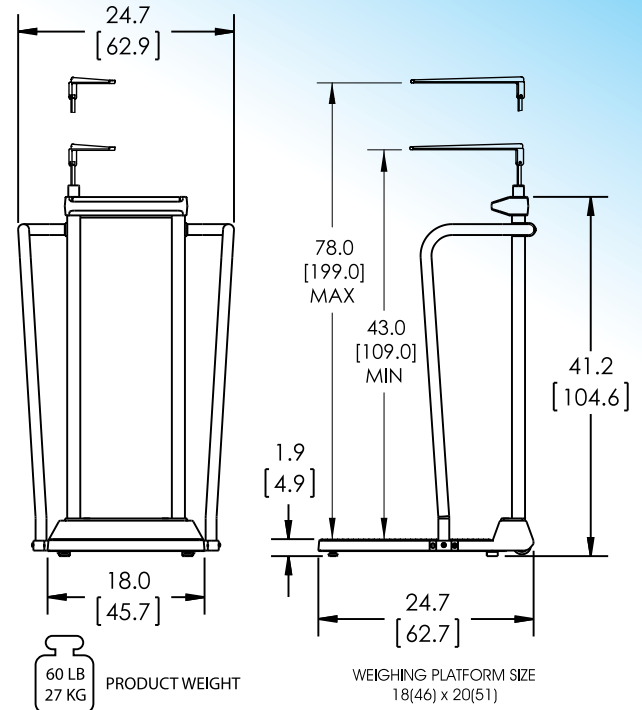
SYSTEM SPECIFICATIONS

| | |
|---------------------------------|--|
| MAX WEIGHT | 1000 Lb / 454 Kg |
| DISPLAY TYPE | 16 Character LCD w/ LED Backlight |
| DISPLAY RESOLUTION | 0.1 Lb/Kg |
| ACCURACY | 0.1% +/- 1 digit of displayed resolution |
| DISPLAY UNITS | Pounds / Kilograms |
| POWER | 6 "D" cell alkaline batteries and optional AC power adaptor |
| BATTERY LIFE | 10,000 Weigh Cycles (est. based on 30 second on-time) |
| AUTO POWER DOWN (APD) | Programmable on-time to conserve battery life. A low battery indication will appear when it's time to replace the batteries. |
| MEMORY | Last stable weight is automatically stored in memory. Press RECALL to retrieve. |
| BMI CALCULATION | Press BMI and input height. Press ENTER to view BMI information. |
| SERIAL DATA OUTPUT (EHR) | 9-pin serial data output can be used to send weight data to optional printer or EHR/EMR Systems. |
| WARRANTY | 4 years |

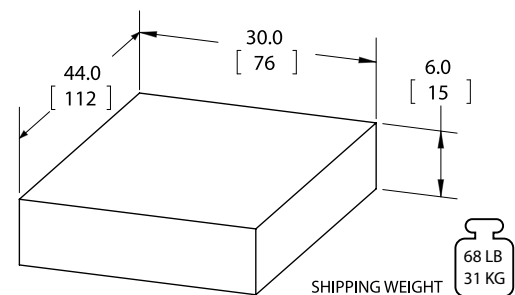
ACCESSORIES AND OPTIONS

| DESCRIPTION | PART NUMBER |
|---|-------------|
| SR585I WITH AC ADAPTOR | SR585i-AC |
| KILOGRAM ONLY SCALE | SR585i-KG |
| SR585I WITH HEIGHT ROD | SR585i-H |
| PRINTER KIT includes FRAP1300, FRTP130012C, FRBC1300, SE8294, and all mounting hardware | SR8220 |
| REPLACEMENT HEIGHT ROD (ADD CM SUFFIX FOR CENTIMETER) | SR9110 |

DIMENSIONS in [cm]



PACKAGING



Integrated front hand hold and wrap-around handles promote patient stability.