

Patient Floor Scale

Model **SR411i** and **SR416i** Series

The SR411i and SR416i Patient Floor Scales are sleek, innovative scales that provide years of reliable service and accurate weight data.

Designed for virtually effortless patient standing comfort, the low-profile and ultra-wide scales are ideal for surgical centers, telehealth applications and other healthcare settings where a basic, reliable weighing solution is needed. Both scales are designed from a large, easy to stand on platform that supports patients up to 1,000 Lbs.* The SR411i features a wall mounted display while the SR416i has a built-in display. With their always-on AC power supply options and high-visibility displays, both models are ready whenever you need to weigh a patient.

*1,000 Lb. capacity is SR416i-X series.



Platform size: **23" x 15"**

SR411i

ANTIMICROBIAL

SR Scales contain antimicrobial technology for powerful, continuous product protection against bacteria.

SOLID CAST ALUMINUM CONSTRUCTION

Durable, stable, and easy to clean.

LOW PROFILE DESIGN

Easy and safe access to weighing surface.

ULTRA-WIDE BASE

Contoured edges slope to a large, comfortable stand-on base that easily accommodates larger patients. The entire top of the scale is part of the weighing surface

MEMORY RECALL

Automatically stores the last stable weight.

WALL MOUNTED DISPLAY - SR411

Ensures height flexibility and proper placement of large digital readout.

BUILT-IN DISPLAY - SR416

Scale is highly portable with easy to use built-in, large digital readout.

EHR/EMR PORT

Serial data output can be used to communicate with electronic health records through send or get commands.

AC OR BATTERY OPERATED

An optional Medical grade wall power supply can be plugged into the scale for touchless scale operation. Additionally 6 "AA" batteries provide approximately 10,000 weigh cycles with programmable Auto Power Down (APD) to conserve power when not plugged in. ("-B" Models)

OPTIONAL EQUIPMENT

Wall Mounted Height Rod.
Wireless enabled data output. (factory option)



4 YEAR
WARRANTY



MADE IN
THE USA

Patient Floor Scale

Model SR411i/SR416i Series

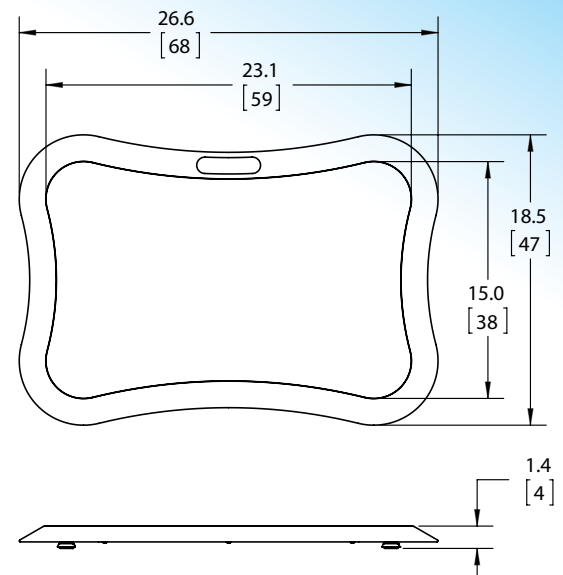
SYSTEM SPECIFICATIONS

MAX WEIGHT	880 Lb/400 Kg (SR411i & SR416i) 1000 Lb/454 Kg (SR416i-X only)
DISPLAY TYPE	1" digit LCD
DISPLAY RESOLUTION	0.1 Lb/0.1 Kg
ACCURACY	0.1% +/- 1 digit of displayed resolution
DISPLAY UNITS	Pounds / Kilograms
POWER	6 "AA" cell alkaline batteries and optional medical grade wall power supply.
BATTERY LIFE	10,000 weigh cycles (est. based on 30 second on-time)
AUTO POWER DOWN (APD)	Programmable on-time to conserve battery life. A low battery indication will appear when it's time to replace the batteries.
ZERO	One touch Zero button
MEMORY	Last stable weight is automatically stored in memory. Press RECALL to retrieve.
SERIAL DATA OUTPUT (EHR)	9-pin serial data port can be used to send weight data to EHR/EMR Systems.
WARRANTY	4 years

ACCESSORIES AND OPTIONS

DESCRIPTION	PART NUMBER
BATTERY OPERATED SCALE	Add "B" suffix
SR416I 1,000LB/454KG SCALE	Add "X" suffix
KILOGRAM ONLY SCALE	Add "KG" suffix
WIRELESS ENABLED SCALE (FACTORY OPTION)	Add "BT" suffix
WALL MOUNTED HEIGHT ROD	SR8591
REPLACEMENT POWER ADAPTER	FRGSM06U09P1J

DIMENSIONS in [cm]



PACKAGING

